



## Husky PRO Series

### Ideal for:

- FirstNet/First Responders
- Transportation/Fleet
- Remote Video Monitoring
- Fixed Wireless



- 4X4 MIMO LTE
- 4X4 MIMO WIFI
- GPS
- IP67 RATED

### Features

- 5G
- CAT 18
- 600 MHz - 6 GHz\*
- HIGH EFFICIENCY
- HIGH PERFORMANCE

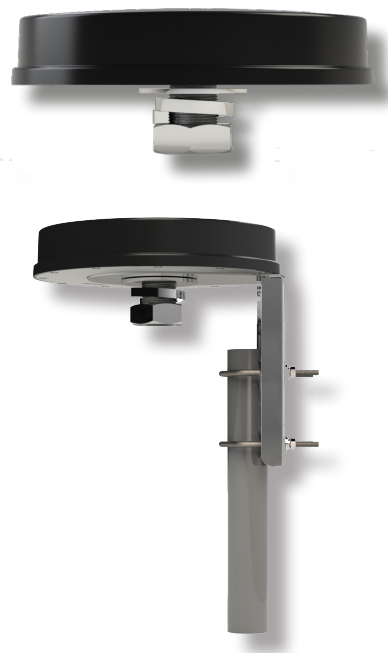
\*See inside for details



## Product Description

The Husky Series antennas are high-performance, 5G, CAT18 (600MHz - 6GHz) antennas, available with 4X4 MIMO LTE, 4X4 MIMO WiFi, and GPS. The Husky Series antennas are perfect for mobile and fixed wireless applications.

The Husky Series are rugged, high-performance, IP67 rated antennas. **Patent pending.**



## Frequency Ranges

### LTE frequency range

- 617 – 894 MHz
- 1710 – 2700 MHz
- 3400 – 3800 MHz (CBRS)
- 5150 – 5925 MHz (LTE LAA)

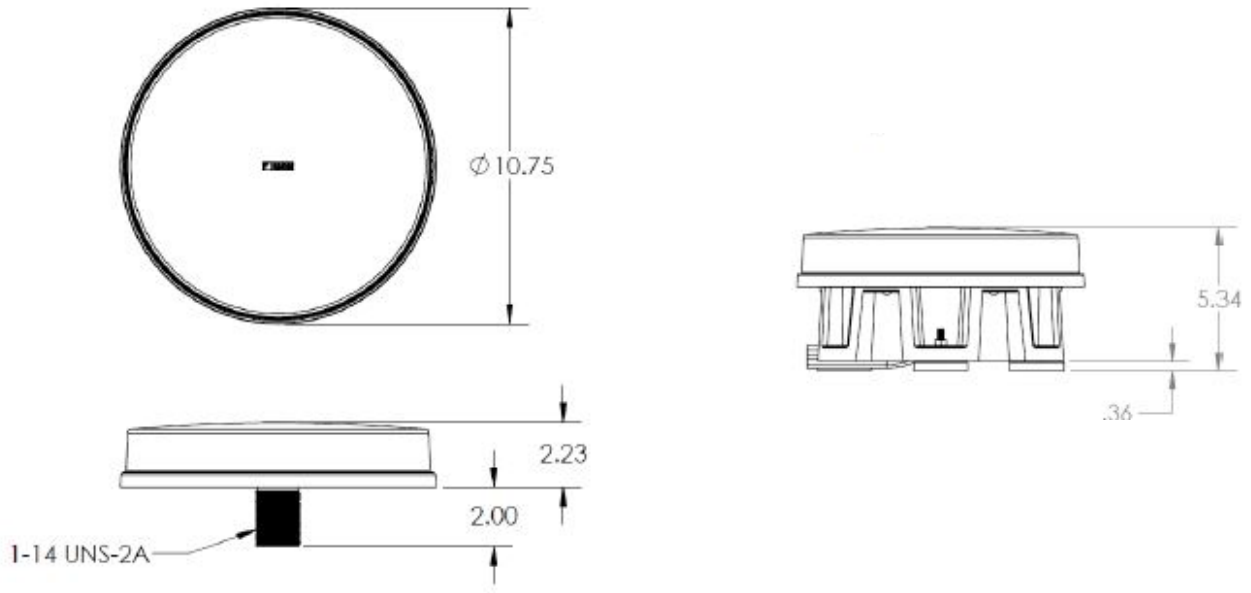
### WiFi frequency range

- 2400 – 2483.5 MHz
- 4900 – 5900 MHz

## LTE Bands (US Carriers)

<b>AT&amp;T</b>	2, 4, 5, 14, 17, 29, 30, 46, 48, 66
<b>Verizon</b>	2, 4, 5, 13, 46, 48, 66
<b>T-Mobile</b>	2, 4, 12, 46, 48, 66, 71
<b>Sprint</b>	2, 25, 26, 41, 46, 48
<b>Mechanical</b>	
<b>Dimensions</b>	10.75 inch diameter x 2.23 inch height, 5.34 inch height with optional magnetic mount
<b>Mounting Hole</b>	Single 1.5 inch
<b>Environmental</b>	
<b>Operating Temperature</b>	-40°C to 85°C
<b>Ingress Protection</b>	IP67 waterproof

## Product Dimensions



## Electrical Specifications

ID	Port	Parameters	Units	Typ.
Radiated Efficiency	LTE-1,2,3,4	617 – 894 MHz	%	85
	LTE-1,2,3,4	1710 – 2700 MHz		85
	LTE-1,2,3,4	3400 – 3800 MHz		60
	LTE-1,2,3,4	5150 – 5925 MHz		60
	GPS	1575.42 MHz		80
	WiFi-1 thru 6	2400 – 2483.5 MHz		70
	WiFi-1 thru 6	4900 – 5900 MHz		70
Peak Gain	LTE-1,2,3,4	617 – 894 MHz	dBi	5
	LTE-1,2,3,4	1710 – 2700 MHz		6
	LTE-1,2,3,4	3400 – 3800 MHz		5
	LTE-1,2,3,4	5150 – 5925 MHz		8
	GPS	1575.42 MHz		6
	WiFi-1 thru 6	2400 – 2483.5 MHz		5
	WiFi-1 thru 6	4900 – 5900 MHz		6
Return Loss (50 $\Omega$ )	LTE-1,2,3,4	617 – 894 MHz	dB	8
	LTE-1,2,3,4	1710 – 2700 MHz		11
	LTE-1,2,3,4	3400 – 3800 MHz		10
	LTE-1,2,3,4	5150 – 5925 MHz		6
	GPS	1575.42 MHz		12
	WiFi-1 thru 6	2400 – 2483.5 MHz		10.5
	WiFi-1 thru 6	4900 – 5900 MHz		6.5

## Electrical Specifications (Continued)

ID	Port	Parameters	Units	Typ.
<b>Isolation</b>	LTE	617 – 894 MHz		11
	LTE	1710 – 2700 MHz		19
	LTE	3400 – 3800 MHz		25
	LTE	5150 – 5925 MHz		21
	WiFi-MIMO	2400 – 2483.5 MHz	dB	18
	WiFi-MIMO	4900 – 5900 MHz		22
	WiFi-adjacent	2400 – 2483.5 MHz		15
	WiFi-adjacent	4900 – 5900 MHz		18
<b>Polarization</b>	LTE, WiFi GPS		dBi	Linear RHCP
<b>Max Input Power</b>	LTE, WiFi		Watts	10
<b>GNSS Preamp Gain</b>	GPS		dB	28
<b>GNSS Preamp Voltage</b>	GPS		V	2.2 to 5.0
<b>RF Connectors</b>	LTE, GPS WiFi			SMA(M) RP-SMA
<b>RF Cable Type</b>	LTE, WiFi GPS			LMR200 LMR100
<b>Notes:</b>				
<ol style="list-style-type: none"> <li>1. Electrical specifications based on antenna with a 2 ft. x 2 ft. external ground plane.</li> <li>2. Isolation and return loss does not include cable loss.</li> <li>3. WiFi-MIMO isolation is the isolation between elements grouped for MIMO for one modem.</li> <li>4. WiFi-adjacent isolation between adjacent elements is the isolation between elements for separate modems.</li> </ol>				

# Ordering

## Standard Antennas

Standard Husky antennas come in come in a 2.0" bolt length, 1' or 15' cable and in black or white.  
N female connectors = NF, and N males connectors = NM

Configurations	Part Number	Description
4:1	PRO4H4L01B	4 LTE, 1' cable, black
	PRO4H4L01B-NF	4 LTE, 1' cable, N type female, black
	PRO4H4L01B-NM	4 LTE, 1' cable, N type male, black
	PRO4H4L01W	4 LTE, 1' cable, white
	PRO4H4L01W-NF	4 LTE, 1' cable, N type female, white
	PRO4H4L01W-NM	4 LTE, 1' cable, N type male, white
	PRO4H4L15B	4 LTE, 15' cable, black
	PRO4H4L15W	4 LTE, 15' cable, white
5:1	PRO5H4LG01B	4 LTE, GPS, 1' cable, black
	PRO5H4LG01B-NF	4 LTE, GPS, 1' cable, N type female, black
	PRO5H4LG01B-NM	4 LTE, GPS, 1' cable, N type male, black
	PRO5H4LG01W	4 LTE, GPS, 1' cable, white
	PRO5H4LG01W-NF	4 LTE, GPS, 1' cable, N type female, white
	PRO5H4LG01W-NM	4 LTE, GPS, 1' cable, N type male, white
	PRO5H4LG15B	4 LTE, GPS, 15' cable, black
	PRO5H4LG15W	4 LTE, GPS, 15' cable, white
7:1	PRO7H2L4WG01B	2 LTE, 4 WiFi, GPS, 1' cable, black
	PRO7H2L4WG01W	2 LTE, 4 WiFi, GPS, 1' cable, white
	PRO7H2L4WG15B	2 LTE, 4 WiFi, GPS, 15' cable, black
	PRO7H2L4WG15W	2 LTE, 4 WiFi, GPS, 15' cable, white
	PRO7H4L2WG01B	4 LTE, 2 WiFi, GPS, 1' cable, black
	PRO7H4L2WG01W	4 LTE, 2 WiFi, GPS, 1' cable, white
	PRO7H4L2WG15B	4 LTE, 2 WiFi, GPS, 15' cable, black
	PRO7H4L2WG15W	4 LTE, 2 WiFi, GPS, 15' cable, white
9:1	PRO9H4L4WG01B	4 LTE, 4 WiFi, GPS, 1' cable, black
	PRO9H4L4WG01W	4 LTE, 4 WiFi, GPS, 1' cable, white
	PRO9H4L4WG15B	4 LTE, 4 WiFi, GPS, 15' cable, black
	PRO9H4L4WG15W	4 LTE, 4 WiFi, GPS, 15' cable, white
11:1	PRO11H4L4WG01B	4 LTE, 6 WiFi, GPS, 1' cable, black
	PRO11H4L4WG01W	4 LTE, 6 WiFi, GPS, 1' cable, white
	PRO11H4L4WG15B	4 LTE, 6 WiFi, GPS, 15' cable, black
	PRO11H4L4WG15W	4 LTE, 6 WiFi, GPS, 15' cable, white

## Non-Standard Antennas

Non-standard Husky antennas come in a 2.0" bolt length with a 1' or 15' cable and in black or white. N female connectors = NF, N males connectors = NM, attached magnetic boot mount = M

Configurations	Part Number	Description
4:1	PRO4H4L15BM	4 LTE, 15' cable, black, magnetic mount boot attached
	PRO4H4L15WM	4 LTE, 15' cable, white, magnetic mount boot attached
5:1	PRO5H4LG15BM	4 LTE, GPS, 15' cable, magnetic mount boot attached, black
	PRO5H4LG15WM	4 LTE, GPS, 15' cable, magnetic mount boot attached, white
7:1	PRO7H2L4WG01B-NF	2 LTE, 4 WiFi, GPS, 1' cable, black, N type female, black
	PRO7H2L4WG01B-NM	2 LTE, 4 WiFi, GPS, 1' cable, white, N type male, black
	PRO7H2L4WG01W-NF	2 LTE, 4 WiFi, GPS, 1' cable, black, N type female, white
	PRO7H2L4WG01W-NM	2 LTE, 4 WiFi, GPS, 1' cable, white, N type male, white
	PRO7H2L4WG15BM	2 LTE, 4 WiFi, GPS, 15' cable, magnetic mount boot attached, black
	PRO7H2L4WG15WM	2 LTE, 4 WiFi, GPS, 15' cable, magnetic mount boot attached, white
	PRO7H4L2WG01B-NF	4 LTE, 2 WiFi, GPS, 1' cable, black, N type female, black
	PRO7H4L2WG01B-NM	4 LTE, 2 WiFi, GPS, 1' cable, white, N type male, black
	PRO7H4L2WG01W-NF	4 LTE, 2 WiFi, GPS, 1' cable, black, N type female, white
	PRO7H4L2WG01W-NM	4 LTE, 2 WiFi, GPS, 1' cable, white, N type male, white
9:1	PRO9H4L4WG01B-NF	4 LTE, 4 WiFi, GPS, 1' cable, black, N type female, black
	PRO9H4L4WG01B-NM	4 LTE, 4 WiFi, GPS, 1' cable, white, N type male, black
11:1	PRO11H4L6WG01B-NF	4 LTE, 6 WiFi, GPS, 1' cable, black, N type female, black
	PRO11H4L6WG01B-NM	4 LTE, 6 WiFi, GPS, 1' cable, white, N type male, black
11:1	PRO11H4L6WG01W-NF	4 LTE, 6 WiFi, GPS, 1' cable, black, N type female, white
	PRO11H4L6WG01W-NM	4 LTE, 6 WiFi, GPS, 1' cable, white, N type male, white
11:1	PRO11H4L6WG15BM	4 LTE, 6 WiFi, GPS, 15' cable, magnetic mount boot attached, black
	PRO11H4L6WG15WM	4 LTE, 6 WiFi, GPS, 15' cable, magnetic mount boot attached, white

## Hardware Accessories

Accessory	Part Number
Pole-mount bracket - Husky cut out (makes antenna a fixed application)	PTA0149H

## Part Number Key

**Part number example of a 9:1 Husky antenna, black:**  
 PRO9H4L4WG15BM

Description	Abbreviation	Part Number
All PRO Series	PRO	PRO
Number of antennas in housing/configuration	9:1	PRO9
Antenna abbreviation for Husky	H	PRO9H
Number of LTE Elements	# L	PRO9H4L
Number of WiFi Elements	# W	PRO9H4L4W
Number of GPS Elements (usually only 1 GPS per antenna, therefore we simply list G and no number)	G	PRO9H4L4WG
Cable length measured in feet: 01 = 1', 15 = 15'	01, 15, etc,	PRO9H4L4WG15
Radome Color - B for Black, W for White	B or W	PRO9H4L4WG15B
Attached magnetic boot mount	M	PRO9H4L4WG15BM
If SMA connector, simply leave blank		PRO9H4L4WG15B
N type female connector	NF	PRO9H4L4WG15B-NF
N type male connector	NM	PRO9H4L4WG15B-NM

Custom connectors are available. Please contact us for more information.